

Index

1. DESCRIPTION AND TECHNICAL SPECIFICATIONS p. 2

2. DIMENSIONS p. 2

3. INSTALLATION p. 2

4. ELECTRICAL CONNECTIONS p. 3

5. START-UP p. 3

6. TROUBLESHOOTING..... p. 4

EC DECLARATION OF CONFORMITY

Manufacturer : FAAC S.p.A.
Address: Via Benini, 1 - 40069 Zola Predosa BOLOGNA - ITALY
Declares that: The active optoelectronic safety device model XP15B,
 • complies with the essential safety requirements of the following directives :

73/23/EEC and subsequent amendment 93/68/EEC.
 89/336/EEC and subsequent amendment 92/31/EEC and 93/68/EEC

Additional note:
 This product underwent tests in a typical uniform configuration
 (all products manufactured by FAAC S.p.A.).

Bologna, 01 January 2006.


The Managing Director
 A. Bassi



WARNINGS

- Important! Carefully follow the entire instruction to ensure safety for persons.
- Incorrect installation or incorrect use of the product can seriously damage persons.
- Carefully read the instructions before beginning to install the product and keep them for future reference.

Read this instruction manual to the letter before you begin to install the product.


Symbol  highlights notes that are important for people's safety and for the good condition of the automated system.


Symbol  draws your attention to the notes about the product's characteristics or operation.



FAAC S.p.A.
 Via Benini, 1
 40069 Zola Predosa (BO) - ITALIA
 Tel.: 051/61724 - Fax: 051/758518
 www.faac.it

XP15B

 Photocell XP15B can be connected only to FAAC control units which control the BUS 2 Easy line.

 Up to 16 pairs of photocells can be connected to each system. To select the type of safety device, refer to the instructions of the control unit.

1. DESCRIPTION AND TECHNICAL SPECIFICATIONS

The self-aligning photocell XP15B with connection to BUS 2 easy, consists of a transmitter and a receiver with synchronised infra-red rays.

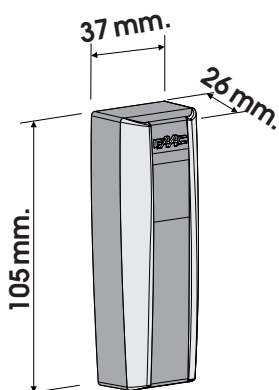
The XP15B photocell is an additional safety device. If the light beam is shadowed, this causes the receiver to change its status. The receiver sends the photocell engaged signal via the BUS.

The two BUS connection terminals are interchangeable and, therefore, the connection polarity need not be observed.

Power supply	from BUS 2 Easy, with two 24V non polarised wires
Absorption (mA)	10
Maximum capacity (m.)	15
Protection class	IP54
Obstacle detection time (msec)	20
Alignment method	automatic
Self-alignment angle	+/- 7° (15 m.) +/- 13° (5 m.)
Operating ambient temperature (°C)	-20 / +55
Installation	on-wall

2. DIMENSIONS

Fig. 1



3. INSTALLATION

For best operation, position the Receiver and Transmitter aligned.

Two types of installation are possible:

- On-wall with embedded pipe (Fig.2).
- On-wall with external pipe/sheath (Fig.3).

- Make the preparations for the electrical connections.
- Fasten the containers, using suitable screws and expansion plugs.
- When installing, use the rubber separator (ref. ① of Fig.2 and Fig.3) to protect the electronics of the photocell against dust and/or insects.

Fig. 2

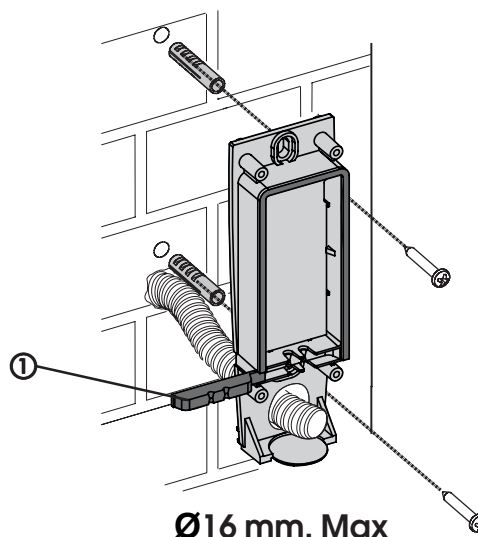
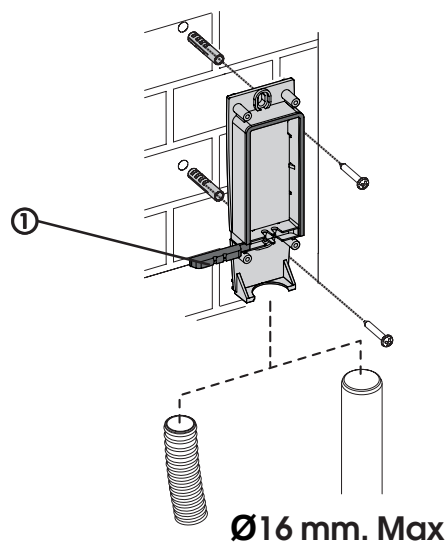


Fig. 3



4. ELECTRICAL CONNECTIONS

- Make the electrical connections on the terminal-boards of the receiver and transmitter, using the grommets, as shown in Fig. 4.
- The BUS consists of a pair of non-polarised conductors.
- To make the connections to the control unit, consult the specific instructions of the control unit being used.

5. START-UP

- The setting of the DS1 dip-switch determines the address of each photocell. Every pair of photocells (RX and TX) must have the same address.
- Every address must be unique for each pair of photocells. The address determines the type of safety device and its intervention (opening, closing, open/closing).

 **To assign the addresses, refer to the instructions for the control unit.**

- Power up the control unit and make sure that the **DL2** LED lights up on both the receiver and transmitter (**Tab.2**).
- Check the alignment of the photocells, controlling the **DL1** LED on the receiver (**Tab.1**).



ATTENTION: for BUS 2 Easy connection use cables with maximum diameter 0,5 mmq., maximum distance 100m.

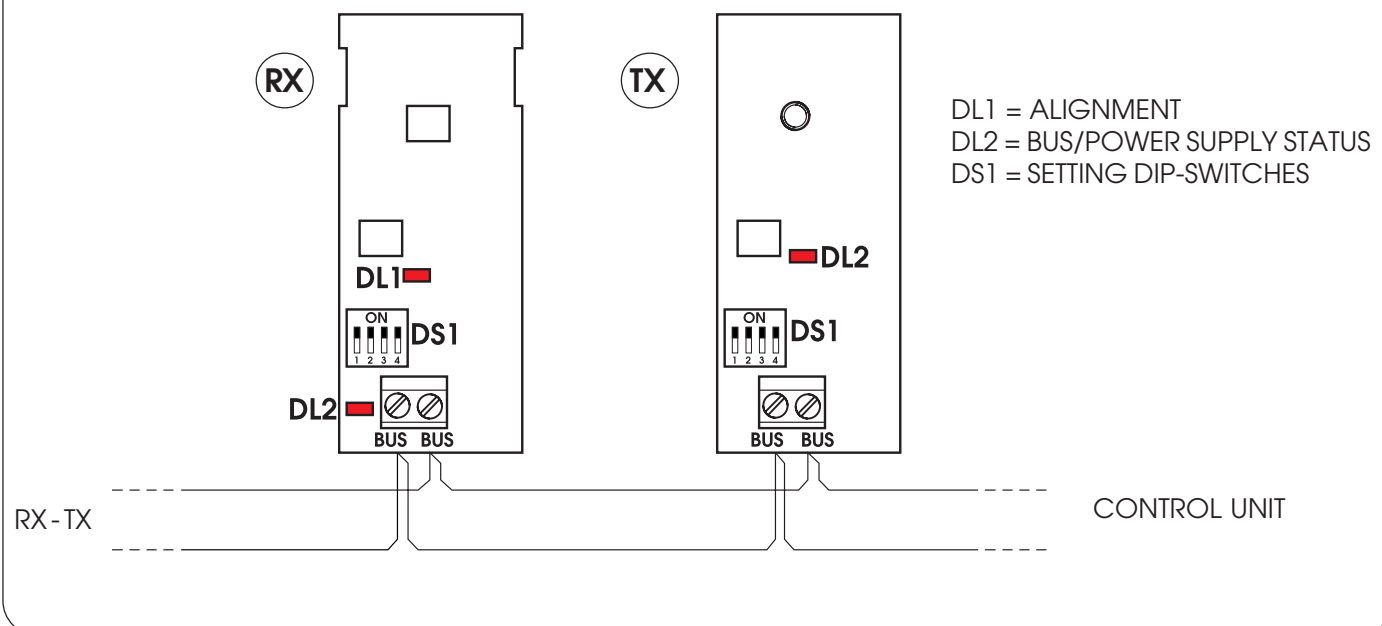
Tab. 1

DL1	
LIGHTED	correct alignment
OFF	incorrect alignment

Tab. 2

DL2	
LIGHTED ON STEADY LIGHT	connections were correctly made
FLASHING	fault on BUS connection
OFF	not operating/disconnected

Fig. 4



6. TROUBLESHOOTING

The following table will help you identify and solve some particular conditions regarding the operation of the photocells.

For a complete list of the error/trouble situations refer to the instruction for the control unit.

	CONDITION	CAUSE/PROBLEM	SUGGESTION
A	gate not moving. DL2 LED flashing.	operating fault of BUS	- check the dip-switches on the receiver and transmitter - check the BUS connections (see Fig. 4) - Replace the photocells.
B	gate not moving. DL2 LED off.	photocell disconnected or not operating	- check the dip-switches on the receiver and transmitter. - Replace the photocells.
C	gate not moving and/or not closing. DL1 LED off.	- photocells not aligned. - transmitter trouble.	- check alignment of photocells. - replace the photocells.
D			

Notes