

PRIME

Anti-intrusion control panels



CONTROL PANEL MODELS

The Prime is available in 5 models (060S, 060L, 120L, 240L and 500L) capable of managing from 10 to 500 terminals, from 10 to 30 partitions and up to 4,000 events in the memory. All control panel models are compatible with all existing Inim I-BUS peripheral devices.

The Prime guarantees certified safety at maximum level. The system is certified to grade 3 of the EN50131 standards and, for notifications, is SP6 and DP4 certified.

- 5 models: 60 S – 60 L – 120 L – 240 L – 500L.
- From 10 to 500 terminals.
- Up to 30 partitions.
- Simultaneous management of wired and wireless devices.
- Up to 4,000 event memory capacity.
- EN50131 Grade 3 compliance for each model.
- Integrated LAN and USB interface.
- Compatibility with I-BUS devices.
- Metal enclosures for power supplies up to 6A

MANAGEMENT

- Firmware upgradeable in "safety" mode
- Prime/STUDIO dedicated programming software (for Identified Installer only).
- Guided user menu in the event of an alarm.
- Text driven programming menu (for Identified Installer only).
- **InimTech Security** Installer App: push notifications, geolocation of control panels and faults, multicontrol-panel and multiplatform.
- **InimHome** User app: push notifications for security management and home automation.
- Peer-to-peer or multicontrol-panel and multi-platform Cloud management.

FUNCTIONS

- Voice functions: intercom, voice mailbox, guided menu, local dialler, environment listen-in.
- Home automation functions: lighting control with dimmer, chronothermostat, management of rollerblinds and motorizations, analogue outputs, timed activations.
- Management of intrusion-control and home-automation scenarios.
- Management of outputs for dimmer 230Vac loads.
- Video verification with Onvif cameras

Prime

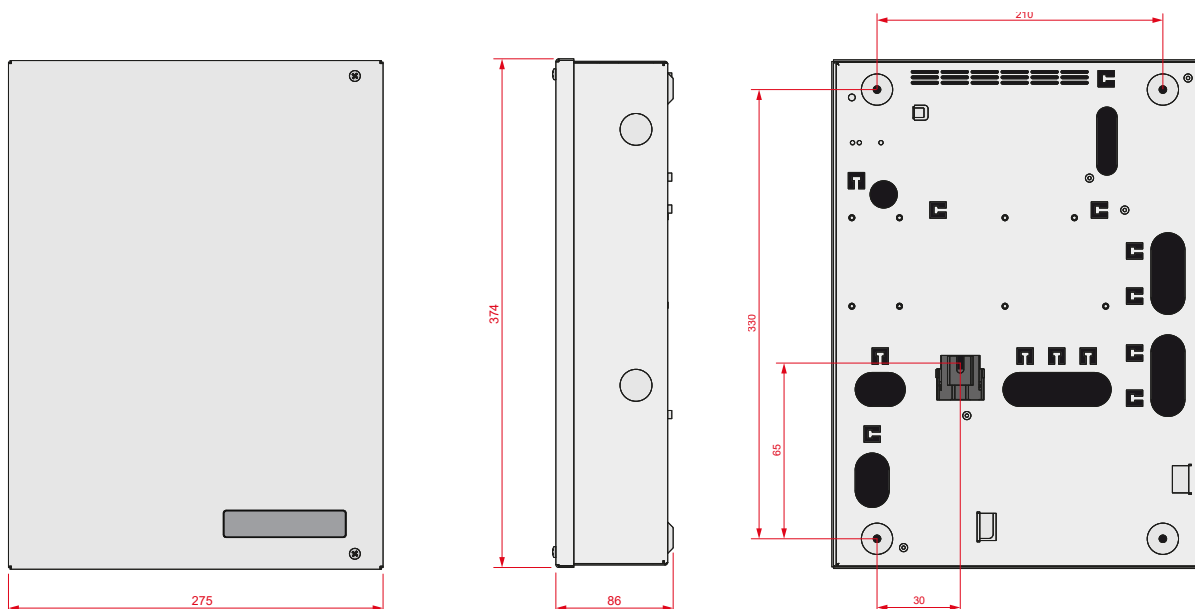
CONNECTIVITY

The Prime is natively managed by Inim Cloud thanks to the network card on board the control panel. So you can just connect the control panel to the installation router and it will automatically reach INIM Cloud, cancelling the procedures for connecting the control panel to the external world. Connection to INIM Cloud is not mandatory but guarantees a series of additional services for both the installer and the end user. Both will have Web access and will be able to manage their systems from any browser or via the **InimTech Security** App, for the Installer, or **InimHome** App, for the User.

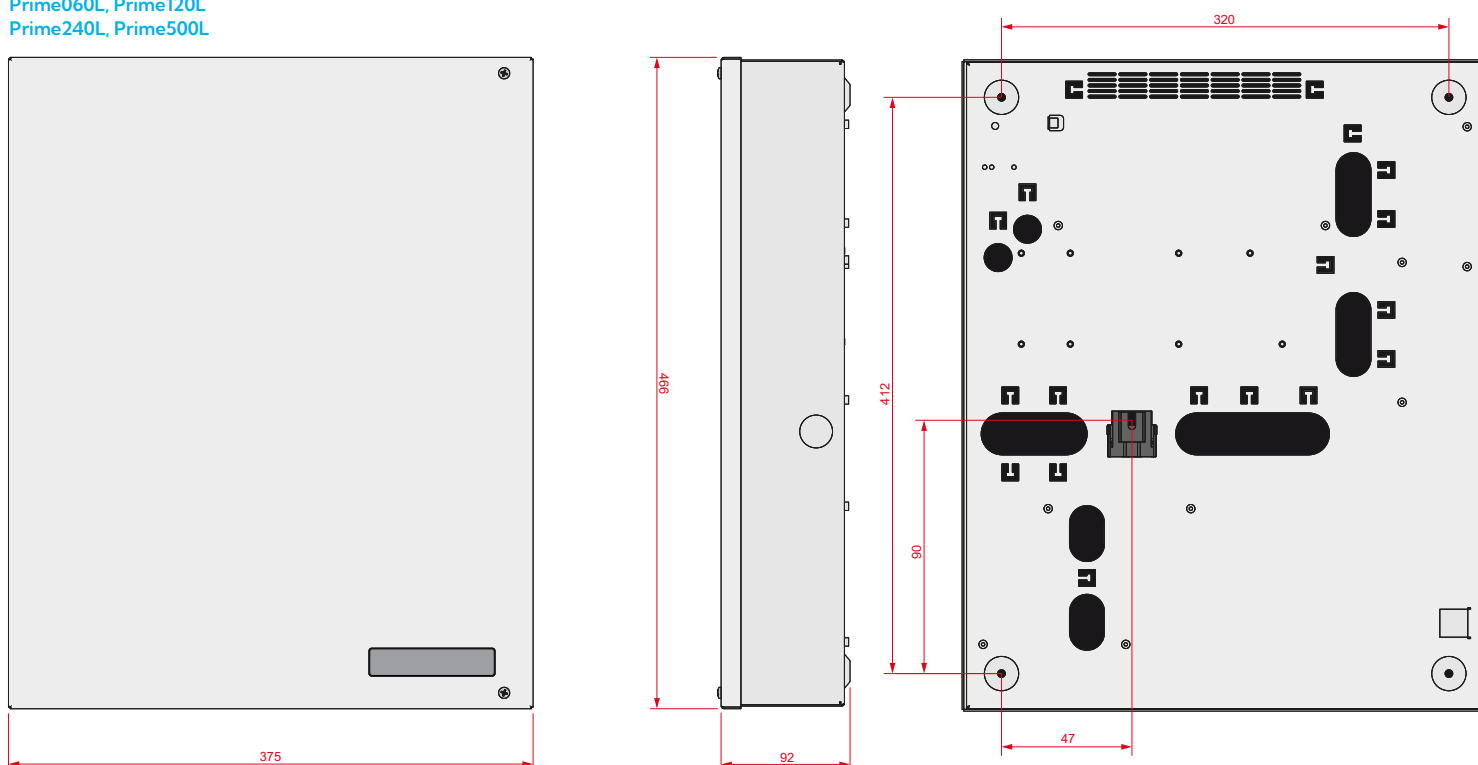
- Integrated on-board LAN connectivity with Inim Cloud services, DHCP, NTP and AES encryption.
- IP connectivity over WiFi networks, IEEE 802.11b/g/n standard (2.4Ghz networks) with the optional PrimeWiFi board
- PSTN, GSM, GPRS, 4G connectivity with voice, digital, SMS dialer.
- Cloud connection via GPRS/4G and LAN with backup channel management.
- PrimeLAN board with webserver functions, graphic maps, e-mails, ONVIF video monitoring and KNX and Modbus management over IP.
- Simultaneous transmission of events on Inim Cloud and other available PSTN, GSM channels.

DIMENSIONS

Control panels
Prime060S



Control panels
Prime060L, Prime120L
Prime240L, Prime500L



MAIN FEATURES

	PRIME				
	60S	60L	120L	240L	500L
Hardware features					
Maximum number of terminals and number of mappable or relocatable terminals in the system ¹	60		120	240	500
Onboard terminals (which can be configured as input/output)			10 (10)		
Programmable relays on the main board			Yes		
Programmable open-collector outputs on the main board			2		
Programmable 12V outputs			2 (AUX 1, AUX 2)		
Manageable partitions	10		20	30	
Integrated IP connectivity			Yes		
Integrated SIA-IP digital communication standard			Yes		
Housing for Flex5 expansion board in the enclosure			Yes		
Housing for GSM, GPRS, 4G communicator in the enclosure			Yes		
Power supply: maximum current for the system (battery not included)	2.5 A			5 A	
Power supply: maximum current for battery recharge			1.2 A		
USB port			Yes		
Battery-charge monitored by battery temperature sensor			Yes		
Battery efficiency test			Yes		
InimHome User App for smartphones or tablets (Android/iOS)			Yes		
InimTech Security Installer App for smartphones or tablets (Android/iOS)			Yes		
Cloud functions with Inim Cloud services			Yes		
Reprogrammability of control panel firmware			Yes		
Battery housing			Yes		
Dimensions (HxWxD):	27.5x37.4x8.6 cm			37.5x46.6x9.2 cm	
Weight (without battery)	3.2 Kg			5 Kg	
Devices on I-Bus					
Peripheral self-learning on the I-Bus			Yes		
Keypads ²			30		
nBy proximity readers			60		
Flex5 5-terminal expansion boards			100		
Sounder/flashers			10		
Transceivers (with automatic channel search)			30		
GSM, GPRS, 4G communicators			1		
Isolators			16		
Temperature probes			15		
Roller blind board			30		
Air2 series wireless devices					
Magnetic contacts, Infrared detectors, Dual technology detectors and Smoke detectors ¹	60		120	195	
Wireless keypads for each transceiver ²			4		
Wireless sounder/flashers for each transceiver			4		
Remote-control keyfobs ³		150			500
Authentication					
Installer codes			2		
User codes (with associated timers)	50		100		500
nKey tag or nCard proximity card (with associated timers) ³		150			500
Telephone communication					
Telephone numbers			15		
Integrated Cloud channel			Yes		
Phone line availability check			Yes		
Automatic voice communicator (SmartLogos30M option)			Yes		
Integrated automatic digital communicator (ContactID, SIA-IP, pulse)			Yes		

¹ Total number obtained by adding up the hardwired terminals and the wireless terminals

² The sum of the keypads on the I-BUS and wireless keypads must be <= 30.

³ The sum of the remote-control keyfobs and tags must be <= 150, 500.

	60S	60L	120L	240L	500L
Input terminals (zones)					
Self-learning of zone balancing *			Yes		
Management of two separate zones on each input terminal			Yes		
Input terminals on the control panel for shock and roller blind sensors			10		
Input terminals on keypad for shock and roller blind sensors			2 or 1, according to model		
Input terminals on expansion board for shock and roller blind sensors (out of 5 available as input/output)			4		
Thresholds of programmable input zones			Yes		
Calibration of input thresholds *			Yes		

* Patent pending.

Additional functions with optional components					
Advanced voice functions with SmartLogos30M board			Yes		
GSM functions with GSM, GPRS, 4G modules			Yes		
GPRS functions and SIA-IP connectivity with GSM, GPRS, 4G modules			Yes		
Web-server, e-mail, ONVIF cameras, KNX and Modbus standard over IP with PrimeLAN board			Yes		
Other features					
Weekly timer with two time slots per day (each with 15 exception periods)			40		
Manual, daily, weekly chronothermostats with antifreeze			30		
Programmable events with timer and counter management			60		
Management of summer/winter time			Yes		
Automatic date/time update with NTP			Yes		
Programmable arming scenarios (settings for partition status and output status)			50		
Output scenarios			50		
Types of shortcuts for immediate actions			38		
Programmable icons			80		
Number of events that can generate actions			2830		
Events that can be stored in the register			4000		
Choice of events to memorize			Yes		
Management of shortcuts via function keys (12) and number keys (10) on keypads			Yes		
Management of shortcuts via LEDs (4) on nBy readers			Yes		
Event-based action generation matrix			Yes		
Generation of action when the event occurs			Yes		
Generation of action when the event restores			Yes		
Zone test from keypad			Yes		
User-friendly programming software (runs under Windows)			Yes		

EN50131-3	Grade 3
EN50131-6	Grade 3 - SP6, DP4

ORDER CODES

- PRIME060S** Anti-intrusion control panel from 10 to 60 terminals, 10 partitions, 3.7 A power supply
- PRIME060L** Anti-intrusion control panel from 10 to 60 terminals, 10 partitions, 6.2 A power supply
- PRIME120L** Anti-intrusion control panel from 10 to 120 terminals, 20 partitions, 6.2 A power supply
- PRIME240L** Anti-intrusion control panel from 10 to 240 terminals, 30 partitions, 6.2 A power supply
- PRIME500L** Anti-intrusion control panel from 10 to 500 terminals, 30 partitions, 6.2 A power supply